

Part number

# CHI 06 LS



Bulkhead mounting housing, C-TYPE series, with 1 lever, size "44.27", with metal cover

#### Product description

|                      |                           |
|----------------------|---------------------------|
| <b>Product type</b>  | Bulkhead mounting housing |
| <b>Series</b>        | C-TYPE                    |
| <b>Closing type</b>  | With 1 lever              |
| <b>Size</b>          | Size "44.27"              |
| <b>Specification</b> | With metal cover          |

#### Technical data

|                                |      |
|--------------------------------|------|
| <b>IP degree of protection</b> | IP65 |
|--------------------------------|------|

#### Further technical details

|   |                |
|---|----------------|
| <b>Weight</b>                                 | 164,00 g       |
| <b>Operating temperature range (min, max)</b> | -40°C...+125°C |

#### Material properties

|                              |               |
|------------------------------|---------------|
| <b>Colour</b>                | RAL 7040 grey |
| <b>RoHs conformity</b>       | Compliant     |
| <b>China RoHs - EFUP</b>     | E             |
| <b>REACH SVHC substances</b> | No            |

#### Approvals / Standards

|                       |            |
|-----------------------|------------|
| <b>Certifications</b> | DNV-GL, BV |
| <b>UL</b>             | ECBT2      |
| <b>cUL</b>            | ECBT8      |

#### General ordering information

|                   |               |
|-------------------|---------------|
| <b>EAN13 code</b> | 8015747017312 |
| <b>eCl@ss 8.1</b> | 27440202      |
| <b>ETIM 7.0</b>   | EC000437      |

#### Packaging Information

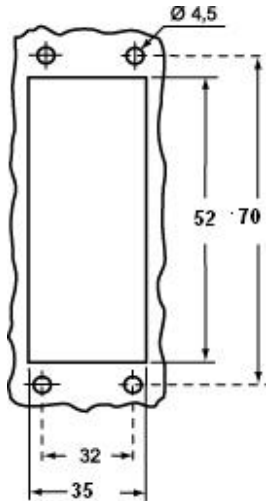
|                                  |                       |
|----------------------------------|-----------------------|
| <b>Packaging length</b>          | 315,00 mm             |
| <b>Packaging height</b>          | 230,00 mm             |
| <b>Packaging width</b>           | 210,00 mm             |
| <b>Packaging weight</b>          | 3,70 kg               |
| <b>Packaging volume</b>          | 15,21 dm <sup>3</sup> |
| <b>Packaging description</b>     | Carton box            |
| <b>Packaging quantity</b>        | 20 Pcs                |
| <b>Packaging EAN code</b>        | 8015747017329         |
| <b>Sub-packaging weight</b>      | 0,93 kg               |
| <b>Sub-packaging description</b> | Plastic packaging     |
| <b>Sub-packaging quantity</b>    | 5 Pcs                 |
| <b>Sub-packaging EAN barcode</b> | 8015747017336         |

Part number

# CHI 06 LS

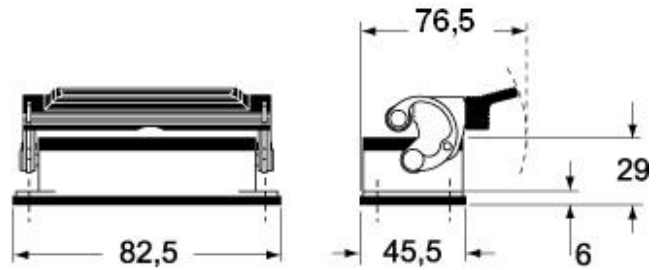


Catalogue drawings

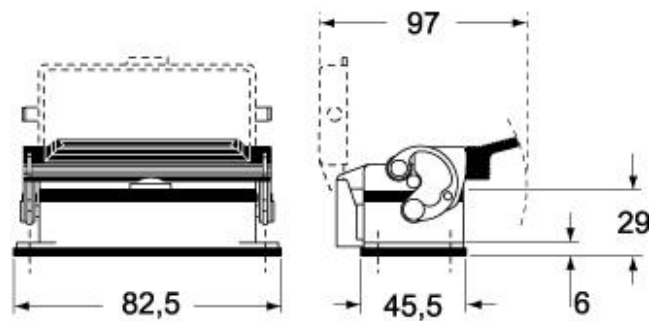


Catalogue drawings

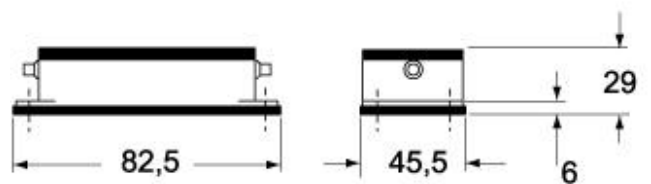
## CHI L



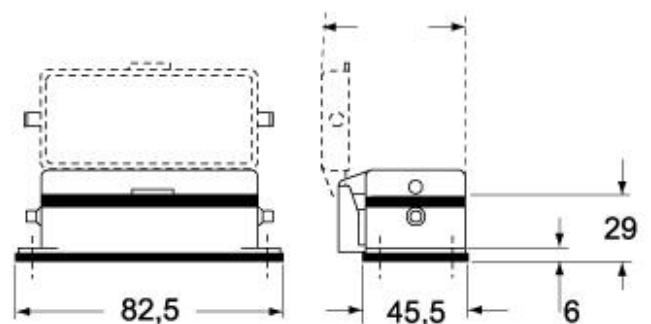
## CHI LS



## CHI LC



## CHI LCS/LCP



---

## Notes

Dimensions shown in mm are not binding and may be changed without notice.

---