

Part number

CK 03 IAPS



Angled Bulkhead mounting housing, CK series, with 1 lever, Pg11 cable entry, size "21.21", white colour

Product description		Material properties	
Product type	Angled bulkhead mounting housing	Colour	RAL 7035 grey
Series	CK	RoHs conformity	Compliant
Closing type	With 1 lever	China RoHs - EFUP	E
Size	Size "21.21"	REACH SVHC substances	No
Cable entry	With cable entry Pg11	Approvals / Standards	
Specification	White colour	UL	ECBT2
Technical data		cUL	ECBT8
IP degree of protection	IP44 (IP66/IP67/IP69 with CKR 65/CKR 65 D kits)	General ordering information	
Further technical details		EAN13 code	8015747026420
Weight	14,50 g	Packaging Information	
Operating temperature range (min, max)	-40°C...+125°C	Packaging length	360,00 mm
		Packaging height	165,00 mm
		Packaging width	315,00 mm
		Packaging weight	2,57 kg
		Packaging volume	18,71 dm ³
		Packaging description	Carton box
		Packaging quantity	100 Pcs
		Packaging EAN code	8015747026437
		Sub-packaging weight	0,26 kg
		Sub-packaging description	Carton box
		Sub-packaging quantity	10 Pcs
		Sub-packaging EAN barcode	8015747026444

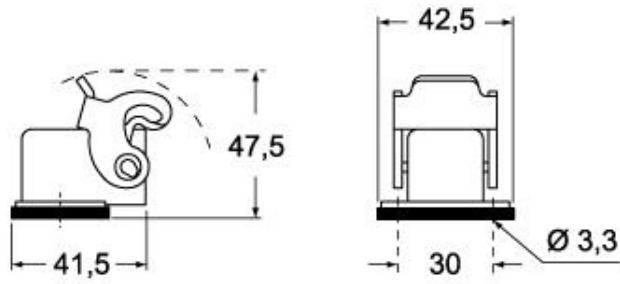
Part number

CK 03 IAPS

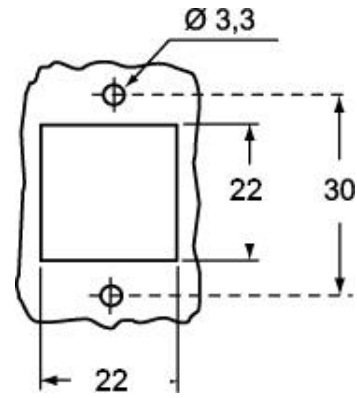


Catalogue drawings

CK IA(N)



Catalogue drawings



CK IAP(N)S - MK IAP (N)

