

Part number

# CK 03 VAS



Hood, CK series, with 2 pegs, Pg11 side cable entry, size "21.21", white colour

Product description		Material properties	
<b>Product type</b>	Hood	<b>Colour</b>	RAL 7035 grey
<b>Series</b>	CK	<b>RoHs conformity</b>	Compliant
<b>Closing type</b>	With 2 pegs	<b>China RoHs - EFUP</b>	E
<b>Size</b>	Size "21.21"	<b>REACH SVHC substances</b>	No
<b>Cable entry</b>	Side cable entry Pg11	<b>Approvals / Standards</b>	
<b>Specification</b>	White colour	<b>UL</b>	ECBT2
<b>Technical data</b>		<b>cUL</b>	ECBT8
<b>IP degree of protection</b>	IP44 (IP66/IP67/IP69 with CKR 65/CKR 65 D kits)	<b>General ordering information</b>	
<b>Further technical details</b>		<b>EAN13 code</b>	8015747026604
<b>Weight</b>	20,00 g	<b>Packaging Information</b>	
<b>Operating temperature range (min, max)</b>	-40°C...+125°C	<b>Packaging length</b>	330,00 mm
		<b>Packaging height</b>	170,00 mm
		<b>Packaging width</b>	230,00 mm
		<b>Packaging weight</b>	2,00 kg
		<b>Packaging volume</b>	12,90 dm <sup>3</sup>
		<b>Packaging description</b>	Carton box
		<b>Packaging quantity</b>	100 Pcs
		<b>Packaging EAN code</b>	8015747026611
		<b>Sub-packaging weight</b>	0,20 kg
		<b>Sub-packaging description</b>	Carton box
		<b>Sub-packaging quantity</b>	10 Pcs
		<b>Sub-packaging EAN barcode</b>	8015747026628

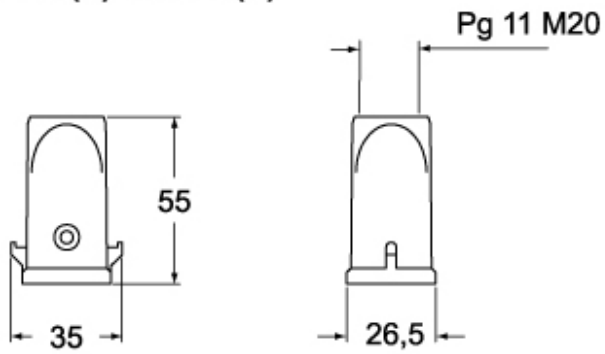
Part number

# CK 03 VAS

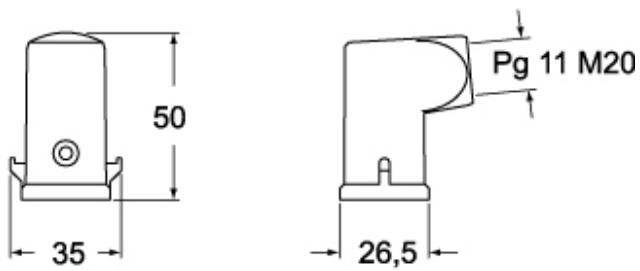


Catalogue drawings

## CK V(N)S - MK V(N)



## CK VA(N)S - MK VA(N)



## CK VG(N)S - MK VG(N)

