

Part number

CK 03 VGNS



Hood, CK series, with 1 lever, Pg11 top cable entry, size "21.21", black colour

| Product description | | Material properties | |
|---|---|-------------------------------------|-----------------------|
| Product type | Hood | Colour | RAL 9005 black |
| Series | CK | RoHs conformity | Compliant |
| Closing type | With 1 lever | China RoHs - EFUP | E |
| Size | Size "21.21" | REACH SVHC substances | No |
| Cable entry | Top cable entry Pg11 | Approvals / Standards | |
| Specification | Black colour | UL | ECBT2 |
| Technical data | | cUL | ECBT8 |
| IP degree of protection | IP44 (IP66/IP67/IP69 with CKR 65/CKR 65 D kits) | General ordering information | |
| Further technical details | | EAN13 code | 8015747026697 |
| Weight | 21,00 g | Packaging Information | |
| Operating temperature range (min, max) | -40°C...+125°C | Packaging length | 330,00 mm |
| | | Packaging height | 170,00 mm |
| | | Packaging width | 230,00 mm |
| | | Packaging weight | 2,10 kg |
| | | Packaging volume | 12,90 dm ³ |
| | | Packaging description | Carton box |
| | | Packaging quantity | 100 Pcs |
| | | Packaging EAN code | 8015747026703 |
| | | Sub-packaging weight | 0,21 kg |
| | | Sub-packaging description | Carton box |
| | | Sub-packaging quantity | 10 Pcs |
| | | Sub-packaging EAN barcode | 8015747026710 |

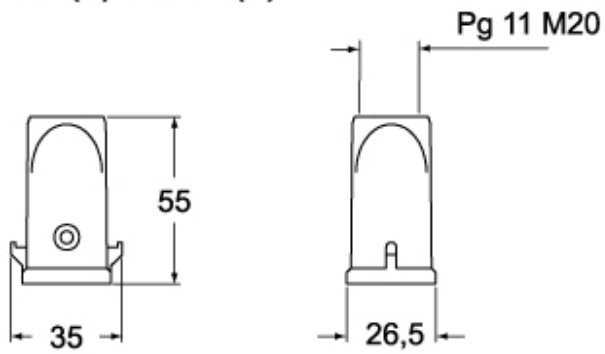
Part number

CK 03 VGNS

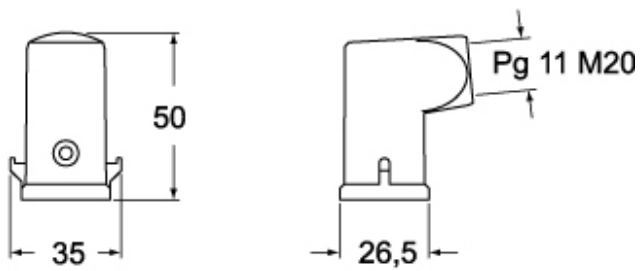


Catalogue drawings

CK V(N)S - MK V(N)



CK VA(N)S - MK VA(N)



CK VG(N)S - MK VG(N)

