

Part number

# CKA 03 IA



Angled Bulkhead mounting housing, CKA series, with 1 lever without cable entry, size "21.21"

## Product description

|                     |                                  |
|---------------------|----------------------------------|
| <b>Product type</b> | Angled bulkhead mounting housing |
| <b>Series</b>       | CKA                              |
| <b>Closing type</b> | With 1 lever                     |
| <b>Size</b>         | Size "21.21"                     |
| <b>Cable entry</b>  | Without cable entry              |

## Technical data

|                                |   |
|--------------------------------|---|
| <b>IP degree of protection</b> | IP44 (IP66/IP67/IP69 with CKR 65/CKR 65 D kits) |
|--------------------------------|---|

## Further technical details

|   |                |
|---|----------------|
| <b>Weight</b>                                 | 45,00 g        |
| <b>Operating temperature range (min, max)</b> | -40°C...+125°C |

## Material properties

|                              |               |
|------------------------------|---------------|
| <b>Main material</b>         | Zinc die-cast |
| <b>Colour</b>                | RAL 7040 grey |
| <b>RoHs conformity</b>       | Compliant     |
| <b>China RoHs - EFUP</b>     | E             |
| <b>REACH SVHC substances</b> | No            |

## Approvals / Standards

|            |       |
|------------|-------|
| <b>UL</b>  | ECBT2 |
| <b>cUL</b> | ECBT8 |

## General ordering information

|                   |               |
|-------------------|---------------|
| <b>EAN13 code</b> | 8015747026932 |
| <b>eCl@ss 8.1</b> | 27440202      |
| <b>ETIM 7.0</b>   | EC000437      |

## Packaging Information

|                                  |                       |
|----------------------------------|-----------------------|
| <b>Packaging length</b>          | 330,00 mm             |
| <b>Packaging height</b>          | 230,00 mm             |
| <b>Packaging width</b>           | 205,00 mm             |
| <b>Packaging weight</b>          | 5,17 kg               |
| <b>Packaging volume</b>          | 15,56 dm <sup>3</sup> |
| <b>Packaging description</b>     | Carton box            |
| <b>Packaging quantity</b>        | 100 Pcs               |
| <b>Packaging EAN code</b>        | 8015747026949         |
| <b>Sub-packaging length</b>      | 185,00 mm             |
| <b>Sub-packaging height</b>      | 40,00 mm              |
| <b>Sub-packaging width</b>       | 155,00 mm             |
| <b>Sub-packaging weight</b>      | 0,52 kg               |
| <b>Sub-packaging volume</b>      | 1,15 dm <sup>3</sup>  |
| <b>Sub-packaging description</b> | Carton box            |
| <b>Sub-packaging quantity</b>    | 10 Pcs                |
| <b>Sub-packaging EAN barcode</b> | 8015747026956         |

Part number

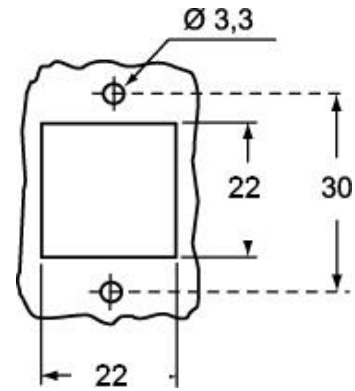
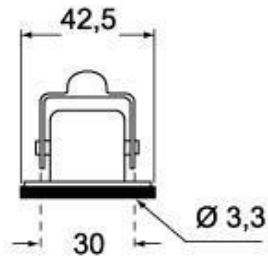
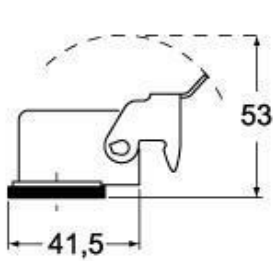
# CKA 03 IA



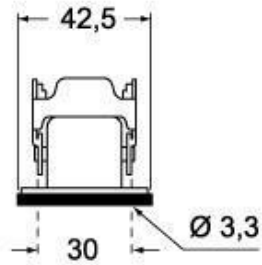
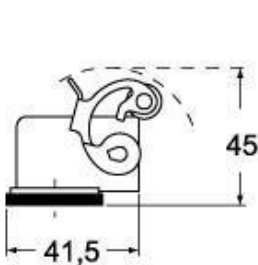
Catalogue drawings

Catalogue drawings

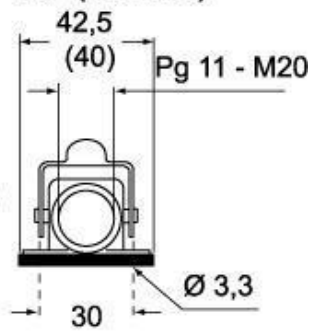
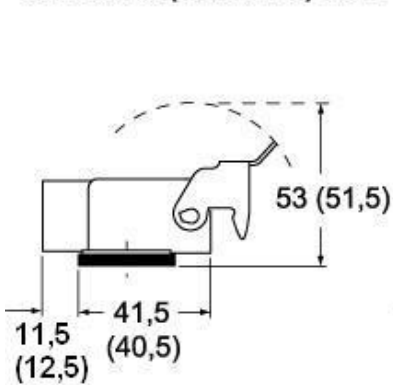
CKA IA



CKAX IA



CKA IAPS (CKA APS) MKA - IAP (MKA AP)



CKAX IAPS (CKAX APS) - MKAX IAP (MKAX AP)

