

Part number

MK VN20



Hood, CK series, with 2 pegs, M20 top cable entry, size "21.21", black colour

Product description		Material properties	
Product type	Hood	Colour	RAL 9005 black
Series	CK	RoHs conformity	Compliant
Closing type	With 2 pegs	China RoHs - EFUP	E
Size	Size "21.21"	REACH SVHC substances	No
Cable entry	Top cable entry M20	Approvals / Standards	
Specification	Black colour	UL	ECBT2
Technical data		cUL	ECBT8
IP degree of protection	IP44 (IP66/IP67/IP69 with CKR 65/CKR 65 D kits)	General ordering information	
Further technical details		EAN13 code	8015747056687
Weight	11,00 g	eCl@ss 8.1	27440202
Operating temperature range (min, max)	-40°C...+125°C	ETIM 7.0	EC000437
		Packaging Information	
		Packaging length	330,00 mm
		Packaging height	170,00 mm
		Packaging width	230,00 mm
		Packaging weight	1,78 kg
		Packaging volume	12,90 dm ³
		Packaging description	Carton box
		Packaging quantity	100 Pcs
		Packaging EAN code	8015747056694
		Sub-packaging weight	0,18 kg
		Sub-packaging description	Carton box
		Sub-packaging quantity	10 Pcs
		Sub-packaging EAN barcode	8015747056700

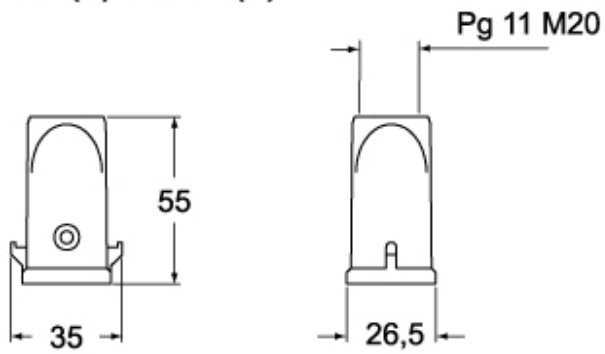
Part number

MK VN20

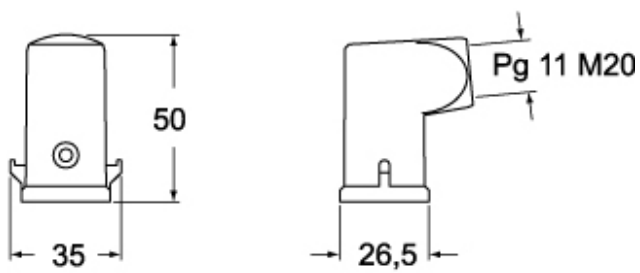


Catalogue drawings

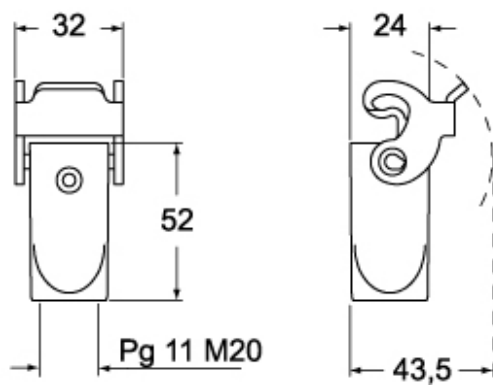
CK V(N)S - MK V(N)



CK VA(N)S - MK VA(N)



CK VG(N)S - MK VG(N)



Notes

Dimensions shown in mm are not binding and may be changed without notice.