

6

5

4

3

2

1

D

D

C

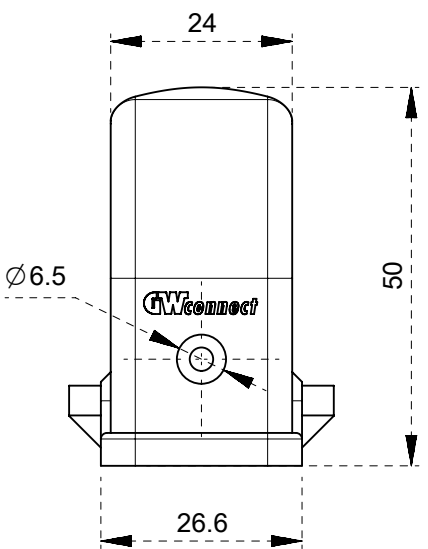
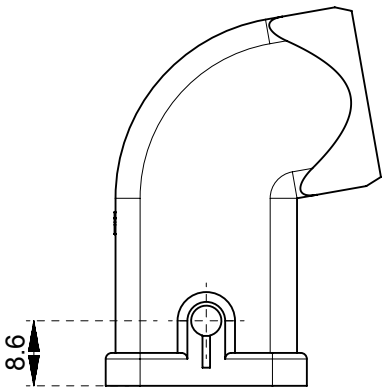
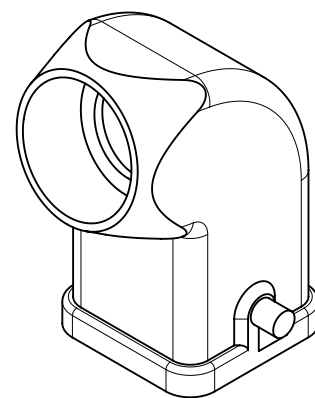
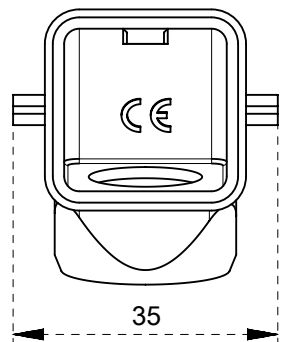
C

B

B

A

A



TECHNICAL CHARACTERISTICS CARATTERISTICHE TECNICHE	
Type STD Tipo STD	For standard application Per applicazioni standard
IP protection degree IP grado di protezione	IP66/IP67 with gasket on the screw IP66/IP67 con guarnizione sulla vite
Working voltage Tensione nominale	500 V
Thread entry Filettatura ingresso	M20 M20

TOLL.GENERALI-ISO 2768-2/F THIS DRAWING CONTAINS INFORMATION THAT IS PROPRIETARY TO MOLEX ELECTRONIC TECHNOLOGIES, LLC AND SHOULD NOT BE USED WITHOUT WRITTEN PERMISSION

TOLL.GENERALI-ISO 2768-2/F	
Tolerances unless otherwise stated	
DIM./Dim.	TOL./Tol.
0.5+3	± 0.05
3+6	± 0.05
6+30	± 0.1
30+120	± 0.15
120+400	± 0.2
DIM. ANGOLARI Angular dimensions	
<10	± 1°
10+50	± 0°30'
50+120	± 0°20'
120+400	± 0°10'

2016/09/16 DRWN: GGUNAGI	2017/11/13 CHK'D: DMERONI	2017/11/14 APPR: AMELZI
GENERAL TOLERANCES (UNLESS SPECIFIED) [SEE CHART] ANGULAR TOL ±		
4 PLACES	±	
3 PLACES	±	
2 PLACES	±	
1 PLACE	±	
0 PLACES	±	
DRAFT WHERE APPLICABLE MUST REMAIN WITHIN DIMENSIONS		

DIMENSION UNITS mm	SCALE 1:1
DRWN BY GGUNAGI	DATE 2016/09/16
CHK'D BY DMERONI	DATE 2017/11/13
APPR BY AMELZI	DATE 2017/11/14
DRAWING SIZE A4	FIRST ANGLE PROJECTION

molex		
7803.6229.0 3A STANDARD NYLON HOOD 2 PEGS SIDE ENTRY M20 GREY		
PRODUCT CUSTOMER DRAWING		
SERIES 93601	MATERIAL NUMBER 936010685	CUSTOMER
DOCUMENT NUMBER 936010685	DOC TYPE PSD	DOC PART 000
		SHEET NUMBER 1 OF 2

RELEASE STATUS P1	RELEASE DATE 14.11.2017	14:53:37
----------------------	----------------------------	----------

6

5

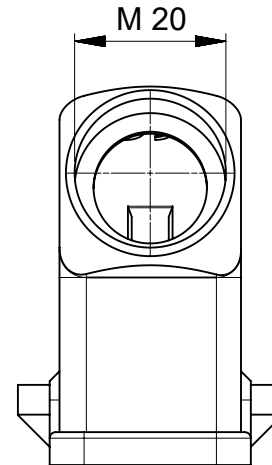
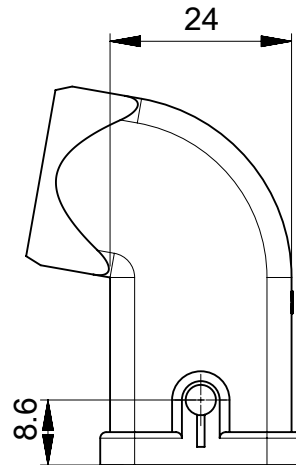
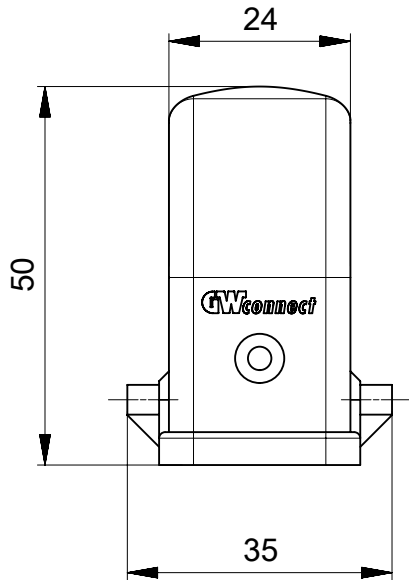
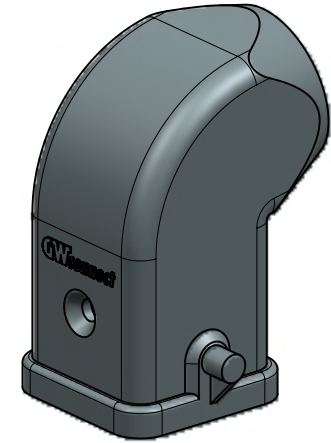
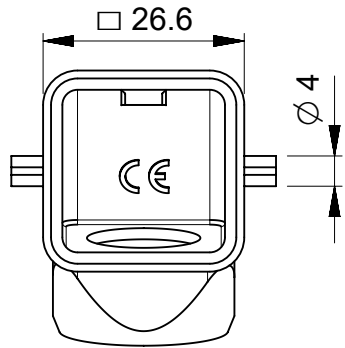
4

3

2

1

FORMAT: master-ld-prod-A4
REVISION: G
DATE: 2015/12/14



THIS DRAWING CONTAINS INFORMATION THAT IS PROPRIETARY TO MOLEX ELECTRONIC TECHNOLOGIES, LLC AND SHOULD NOT BE USED WITHOUT WRITTEN PERMISSION

EC NO: 168065 DRWN: GGUNAGI CHK'D: DMERONI REV 1 APPR: AMELZI	2016/09/16	GENERAL TOLERANCES (UNLESS SPECIFIED) ANGULAR TOL ± ° 4 PLACES ± 3 PLACES ± 2 PLACES ± 1 PLACE ± 0 PLACES ± DRAFT WHERE APPLICABLE MUST REMAIN WITHIN DIMENSIONS	DIMENSION UNITS	SCALE	
	2017/11/13		mm	1:1	
	2017/11/14		DRWN BY	DATE	
	A		GGUNAGI	2016/09/16	7803.6229.0 3A STANDARD NYLON HOOD 2 PEGS SIDE ENTRY M20 GREY
			DMERONI	2017/11/13	
			AMELZI	2017/11/14	PRODUCT CUSTOMER DRAWING
			DRAWING SIZE	FIRST ANGLE PROJECTION	SERIES
A4		93601	936010685		
		DOCUMENT NUMBER	DOC TYPE	DOC PART	SHEET NUMBER
		936010685	PSD	000	2 OF 2

RELEASE STATUS	P1	RELEASE DATE	14.11.2017	14:53:37
----------------	----	--------------	------------	----------