


Part number

CNEM 06 RY



Male insert, CNE RY series, screw terminal connection, 6 poles + PE, 16 A 500 V 6 kV 3, size "44.27", for applications up to 180°C, with plate

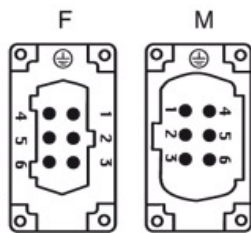
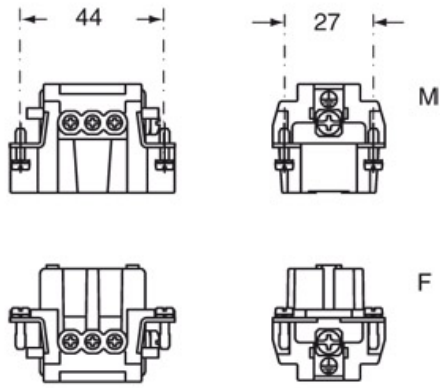
Product description		Material properties	
Product type	Insert	Main material	Polyphenylene sulfide (PPS)
Series	CNE RY	Other materials	Contacts: copper alloy
Connection type	Screw terminal connection		Compliant with exemption
Gender	Male	RoHs conformity	6(c): copper alloy containing up to 4% lead by weight
N. of poles	6 poles + 	China RoHs - EFUP	50
Size	Size "44.27"	REACH SVHC substances	Yes Lead
Specification	With plate For applications up to 180°C		
Technical data		Approvals / Standards	
Current	16 A	Reference standard	EN 61984:2009-06
Voltage	500 V	Certifications	CSA, CQC, DNV-GL, BV, EAC
Rated impulse withstand voltage	6 kV	UL	ECBT2
Pollution degree	3	cUL	ECBT8
Rated voltage according to UL/CSA	600 V		
Wire cross-section	0,50 mm ² - 4,00 mm ²	General ordering information	
AWG size	20 - 12	EAN13 code	8015747109048
Contact type	Turned silver plated	eCl@ss 8.1	27440205
IP degree of protection	IP20 without enclosure, IP65 with enclosure	ETIM 7.0	EC000438
Further technical details		Packaging Information	
Characteristics according to EN 61984	16A 500V 6kV 3; 16A 400/690V 6kV 2	Packaging length	270,00 mm
Mating cycles	≥ 500	Packaging height	75,00 mm
Insulation resistance	≥ 10 GΩ	Packaging width	180,00 mm
Contact resistance	≤ 1 mΩ	Packaging weight	3,23 kg
Weight	48,00 g	Packaging volume	3,65 dm ³
Operating temperature range (min, max)	-40°C ... +180°C	Packaging description	Carton box
Conductors stripping length	7 mm	Packaging quantity	60 Pcs
UL 94 flammability rating	V-0	Packaging EAN code	8015747109895
Torque for main contact	M3: 0.5 Nm; 4.4 lb.in (Ph0 or 0,8 x 4)	Sub-packaging length	104,00 mm
Tightening torque for PE connection	M3: 0,5 Nm; 4,4 lb.in (Ph0 or 0,8 x 4)	Sub-packaging height	36,00 mm
Tightening torque for fixing screws	M3: 0.5 Nm; 4.4 lb.in (Ph0 or 0,8 x 4)	Sub-packaging width	180,00 mm
		Sub-packaging weight	0,54 kg
		Sub-packaging volume	0,67 dm ³
		Sub-packaging description	Carton tray
		Sub-packaging quantity	10 Pcs
		Sub-packaging EAN barcode	8015747109901

Part number

CNEM 06 RY



Catalogue drawings



Derating curves

