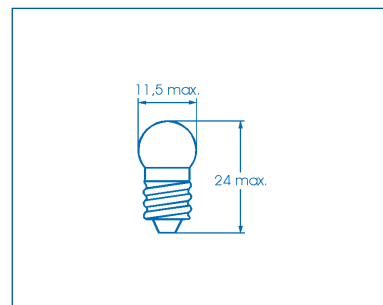


## Kleinkugellampen, KKL

Socket E10

(11x24mm)

Spannung	Strom	Leistung	Artikel-Nr.
2,5V	200mA	0,5W	00810220
	500mA	1,25W	00810250
6V	50mA	0,3W	00810650
	100mA	0,6W	00810610
	330mA	2W	00810602
	500mA	3W	00810603
12V	100mA	1,2W	00811210
	165mA	2W	00811202
	250mA	3W	00811203
24V	50mA	1,2W	00812450
	80mA	2W	00812402
	125mA	3W	00812403
30V	65mA	2W	00813002
48V	40mA	2W	00814802



## Kleinkugellampen, KKL

Socket BA9s

(11x24mm)

Spannung	Strom	Leistung	Artikel-Nr.
6V	100mA	0,6W	00820606
	330mA	2W	00820602
12V	100mA	1,2W	00821212
24V	50mA	1,2W	00822412
	80mA	2W	00822402
24-30V	100mA	3W	00823003
30V	65mA	2W	00823002

