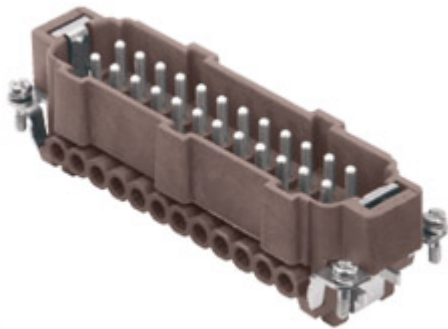



Part number

CNEM 24 RY



Male insert, CNE RY series, screw terminal connection, 24 poles + PE, 16 A 500 V 6 kV 3, size "104.27", for applications up to 180°C, with plate

Product description	
Product type	Insert
Series	CNE RY
Connection type	Screw terminal connection
Gender	Male
N. of poles	24 poles + 
Size	Size "104.27"
Specification	With plate For applications up to 180°C
Technical data	
Current	16 A
Voltage	500 V
Rated impulse withstand voltage	6 kV
Pollution degree	3
Rated voltage according to UL/CSA	600 V
Wire cross-section	0,50 mm ² - 4,00 mm ²
AWG size	20 - 12
Contact type	Turned silver plated
IP degree of protection	IP20 without enclosure, IP65 with enclosure
Further technical details	
Characteristics according to EN 61984	16A 500V 6kV 3; 16A 400/690V 6kV 2
Mating cycles	≥ 500
Insulation resistance	≥ 10 GΩ
Contact resistance	≤ 1 mΩ
Weight	111,50 g
Operating temperature range (min, max)	-40°C ... +180°C
Conductors stripping length	7 mm
UL 94 flammability rating	V-0
Torque for main contact	M3: 0.5 Nm; 4.4 lb.in (Ph0 or 0,8 x 4)
Tightening torque for PE connection	M3: 0,5 Nm; 4,4 lb.in (Ph0 or 0,8 x 4)
Tightening torque for fixing screws	M3: 0.5 Nm; 4.4 lb.in (Ph0 or 0,8 x 4)

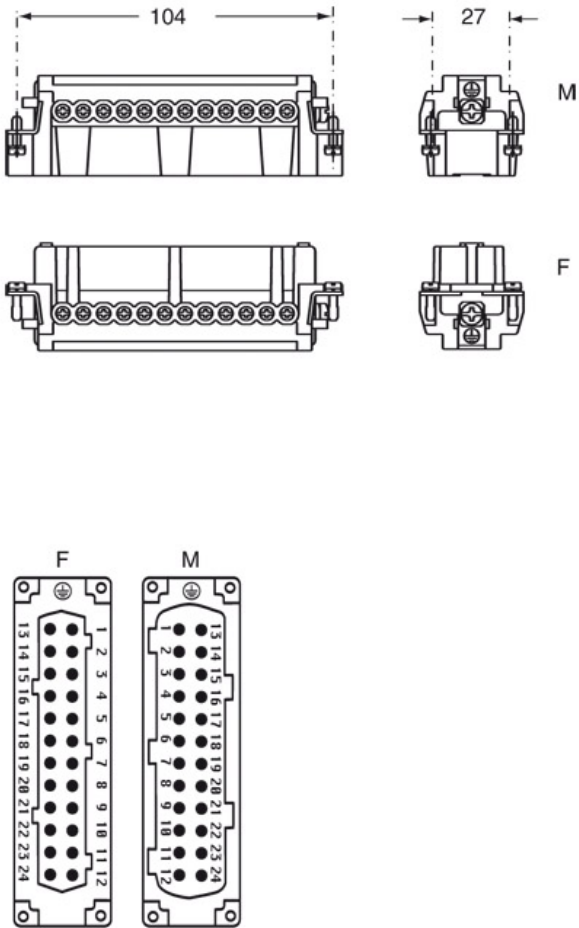
Material properties	
Main material	Polyphenylene sulfide (PPS)
Other materials	Contacts: copper alloy
RoHs conformity	Compliant with exemption 6(c): copper alloy containing up to 4% lead by weight
China RoHs - EFUP	50
REACH SVHC substances	Yes Lead
SCIP number	1a9c93ff-0445-4a16-81e3-1609ac5274d6
Approvals / Standards	
Reference standard	EN 61984:2009-06
Certifications	CSA, CQC, DNV, BV, EAC
UL	ECBT2
cUL	ECBT8
General ordering information	
EAN13 code	8015747109079
eCl@ss 8.1	27440205
ETIM 7.0	EC000438
Packaging Information	
Packaging length	270,00 mm
Packaging height	75,00 mm
Packaging width	180,00 mm
Packaging weight	3,71 kg
Packaging volume	3,65 dm ³
Packaging description	Carton box
Packaging quantity	30 Pcs
Packaging EAN code	8015747110013
Sub-packaging length	113,00 mm
Sub-packaging height	36,00 mm
Sub-packaging width	180,00 mm
Sub-packaging weight	0,62 kg
Sub-packaging volume	0,73 dm ³
Sub-packaging description	Carton tray
Sub-packaging quantity	5 Pcs
Sub-packaging EAN barcode	8015747110020

Part number

CNEM 24 RY



Catalogue drawings



Derating curves

