

Part number
CHO 24



Hood, C-TYPE series, with 4 pegs, Pg21 side cable entry, size "104.27"



Product description

| | |
|---------------------|--------------------------|
| Product type | Hood |
| Series | C-TYPE |
| Closing type | With 4 pegs |
| Size | Size "104.27" |
| Cable entry | Side cable entry Pg21 |

Technical data

| | |
|--------------------------------|--------------------|
| IP degree of protection | IP65 / IP66 / IP69 |
|--------------------------------|--------------------|

Further technical details

| | |
|---|----------------|
| Weight | 193,00 g |
| Operating temperature range (min, max) | -40°C...+125°C |

Material properties

| | |
|------------------------------|---------------|
| Colour | RAL 7040 grey |
| RoHs conformity | Compliant |
| China RoHs - EFUP | E |
| REACH SVHC substances | No |

Approvals / Standards

| | |
|-----------------------|---------|
| Certifications | DNV, BV |
| UL | ECBT2 |
| cUL | ECBT8 |

General ordering information

| | |
|-------------------|---------------|
| EAN13 code | 8015747020053 |
|-------------------|---------------|

Packaging Information

| | |
|----------------------------------|-----------------------|
| Packaging length | 250,00 mm |
| Packaging height | 145,00 mm |
| Packaging width | 300,00 mm |
| Packaging weight | 4,30 kg |
| Packaging volume | 10,88 dm ³ |
| Packaging description | Carton box |
| Packaging quantity | 20 Pcs |
| Packaging EAN code | 8015747020060 |
| Sub-packaging weight | 1,08 kg |
| Sub-packaging description | Plastic packaging |
| Sub-packaging quantity | 5 Pcs |
| Sub-packaging EAN barcode | 8015747020077 |

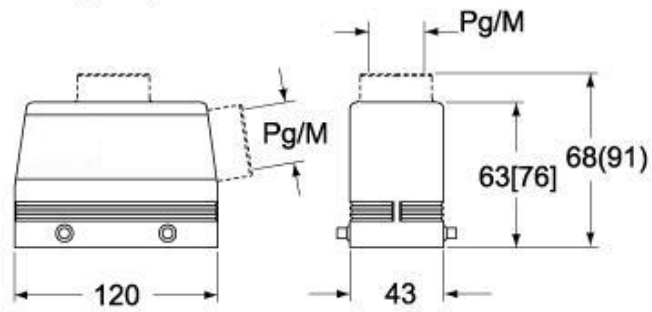
Part number

CHO 24



Catalogue drawings

**CHO [CAO] CHV (CAV) - MHO [MAO]
MHV (MAV)**



CHV G (CAV G) - MHV G (MAV G) - [MFV G]

