

Part number

CHO 24 X



Hood, C-TYPE series, with 2 levers, Pg21 side cable entry, size "104.27", without gasket

Product description

Product type	Hood
Series	C-TYPE
Closing type	With 2 levers
Size	Size "104.27"
Cable entry	Side cable entry Pg21
Specification	Without gasket

Technical data

IP degree of protection IP65 / IP66 / IP69

Further technical details

Weight	285,70 g
Operating temperature range (min, max)	-40°C...+125°C

Material properties

Colour	RAL 7040 grey
RoHs conformity	Compliant
China RoHs - EFUP	E
REACH SVHC substances	No

Approvals / Standards

Certifications	DNV, BV
UL	ECBT2
cUL	ECBT8

General ordering information

EAN13 code 8015747020145

Packaging Information

Packaging length	300,00 mm
Packaging height	160,00 mm
Packaging width	180,00 mm
Packaging weight	3,06 kg
Packaging volume	8,64 dm ³
Packaging description	Carton box
Packaging quantity	10 Pcs
Packaging EAN code	8015747020152
Sub-packaging weight	1,53 kg
Sub-packaging description	Plastic packaging
Sub-packaging quantity	5 Pcs
Sub-packaging EAN barcode	8015747020169

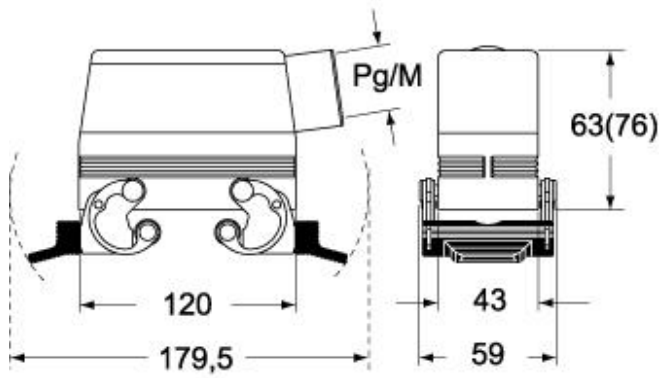
Part number

CHO 24 X



Catalogue drawings

CHO X (CAO X) - MHO X (MAO X)



CHV X (CAV X) - MHV X (MAV X)

