


Part number

CSHM 06



Male insert, CSH series, SQUICH® spring terminal connection without tools, 6 poles + PE, 16 A 500 V 6 kV 3, size "44.27"

| Product description | |
|------------------------|---|
| Product type | Insert |
| Series | CSH |
| Connection type | SQUICH® spring terminal connection without tools |
| Gender | Male |
| N. of poles | 6 poles +  |
| Size | Size "44.27" |

| Technical data | |
|--|--|
| Current | 16 A |
| Voltage | 500 V |
| Rated impulse withstand voltage | 6 kV |
| Pollution degree | 3 |
| Rated voltage according to UL/CSA | 600 V |
| Wire cross-section | 0,14 mm ² - 2,50 mm ² |
| AWG size | 26 - 14 |
| Contact type | Turned silver plated |
| IP degree of protection | IP20 without enclosure, IP65/IP66/IP68/IP69 with enclosure |

| Further technical details | |
|---|------------------------------------|
| Characteristics according to EN 61984 | 16A 500V 6kV 3; 16A 400/690V 6kV 2 |
| Mating cycles | ≥ 500 |
| Insulation resistance | ≥ 10 GΩ |
| Contact resistance | ≤ 3 mΩ |
| Weight | 57,00 g |
| Operating temperature range (min, max) | -40 °C ... +125 °C |
| Conductors stripping length | 9...11 mm |
| UL 94 flammability rating | V-0 |

| Material properties | |
|------------------------------|--|
| Main material | Polycarbonate (PC) |
| Other materials | Contacts: copper alloy |
| Colour | RAL 7032 grey |
| RoHs conformity | Compliant with exemption 6(c): copper alloy containing up to 4% lead by weight |
| China RoHs - EFUP | 50 |
| REACH SVHC substances | Yes Lead |

| Approvals / Standards | |
|---------------------------|---------------------------|
| Reference standard | EN 61984:2009-06 |
| Certifications | CSA, CQC, DNV-GL, BV, EAC |
| UL | ECBT2, PVVA2 |
| cUL | ECBT8, PVVA8 |

| General ordering information | |
|------------------------------|---------------|
| EAN13 code | 8015747053990 |
| eCl@ss 8.1 | 27440205 |
| ETIM 7.0 | EC000438 |

| Packaging Information | |
|----------------------------------|----------------------|
| Packaging length | 245,00 mm |
| Packaging height | 165,00 mm |
| Packaging width | 215,00 mm |
| Packaging weight | 3,40 kg |
| Packaging volume | 8,69 dm ³ |
| Packaging description | Carton box |
| Packaging quantity | 60 Pcs |
| Packaging EAN code | 8015747170727 |
| Sub-packaging length | 197,00 mm |
| Sub-packaging height | 44,00 mm |
| Sub-packaging width | 113,00 mm |
| Sub-packaging weight | 0,57 kg |
| Sub-packaging volume | 0,98 dm ³ |
| Sub-packaging description | Carton tray |
| Sub-packaging quantity | 10 Pcs |
| Sub-packaging EAN barcode | 8015747170734 |

Part number

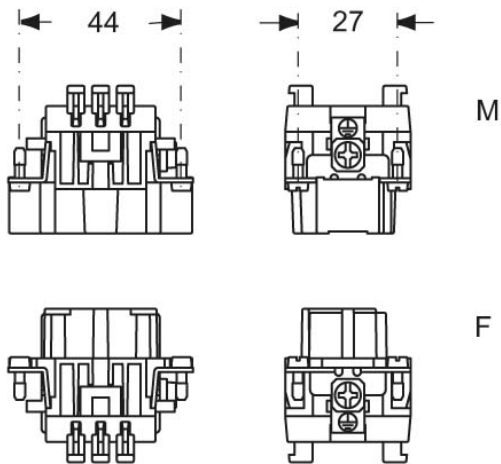
CSHM 06



Catalogue drawings

Catalogue drawings

dimensions in mm



contacts side (front view)

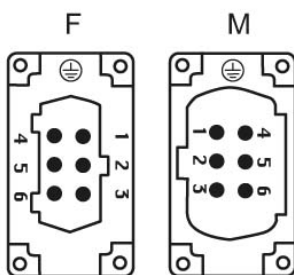


diagram CSH 06 poles

