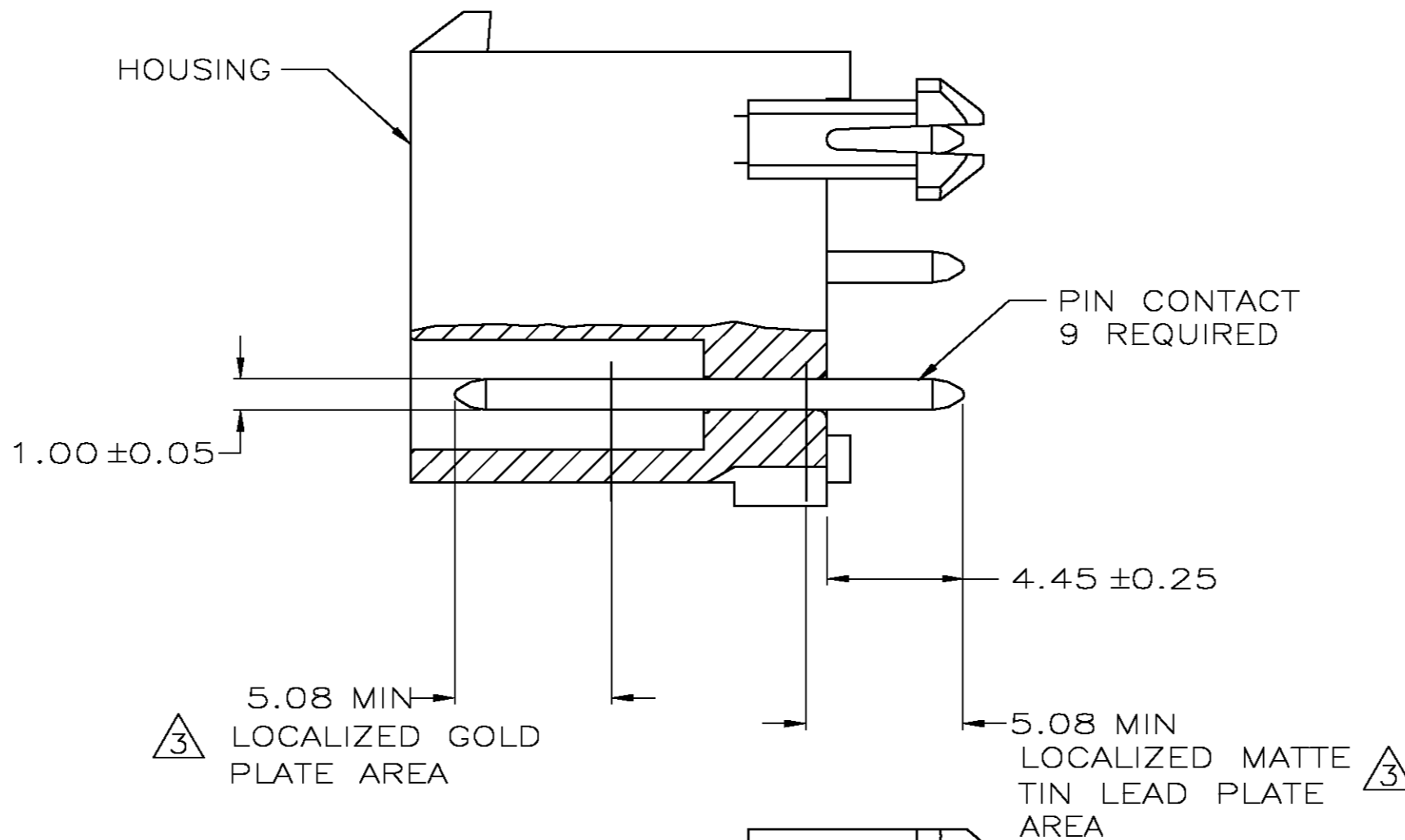
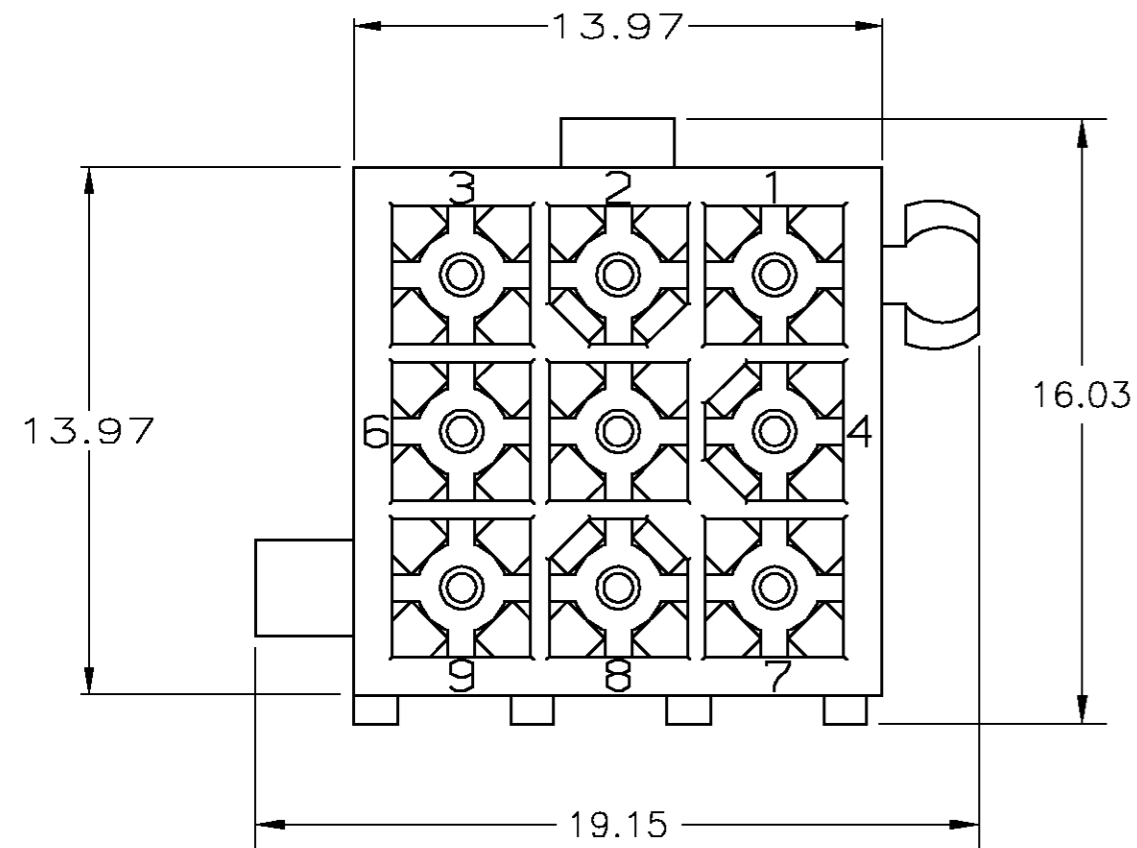
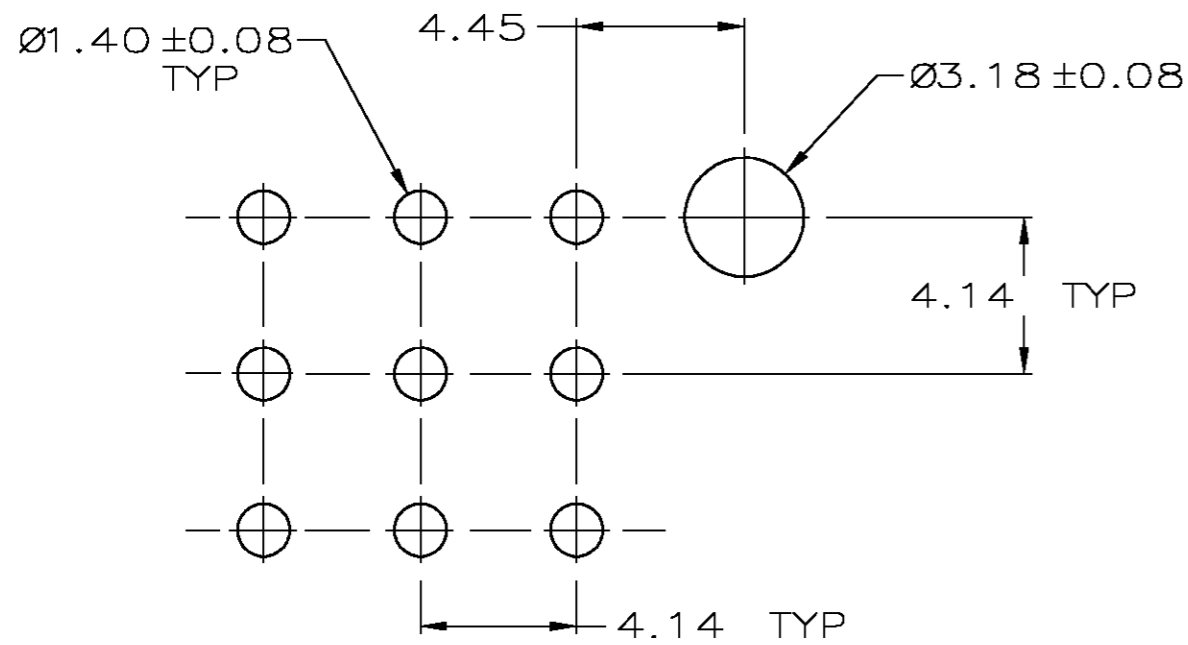


THIS DRAWING IS UNPUBLISHED. RELEASED FOR PUBLICATION
 © COPYRIGHT BY TYCO ELECTRONICS CORPORATION. ALL RIGHTS RESERVED.

LOC	DIST	REVISIONS			
P	LTR	DESCRIPTION	DATE	DWN	APVD
CM	00	K	REV PER ECN 0G3B-03B2-03	28JUL03	SC CJ



- 1. PINS TO COMPLY WITH AMP SOLDERABILITY SPEC. 109-11-3.
- 2. 0.00381 MIN MATTE TIN LEAD PLATE OVER 0.00127 MIN NICKEL.
- 3. 0.00076 MIN GOLD PLATE IN THE LOCALIZED PLATE AREA, 0.00381 MATTE TIN LEAD IN THE LOCALIZED PLATE AREA, BOTH OVER 0.00127 MIN NICKEL.
- 4. 0.00381 MIN MATTE TIN PLATE OVER 0.00127 MIN NICKEL.



RECOMMENDED LAYOUT FOR 1.57 THICK BOARD
 TOLERANCES NON-ACCUMULATIVE

MM	IN	MM	IN
1.00	.039	-	-
0.76	.030	13.97	.550
0.25	.010	13.49	.531
0.13	.005	5.08	.200
0.08	.003	4.45	.175
0.05	.002	4.14	.163
0.00381	.000150	3.18	.125
0.00127	.000050	1.57	.062
0.00076	.000030	1.40	.055

CONVERSION TABLE



BRASS, TIN	4	NYLON, UL94V-0	WHITE	1-770182-0
BRASS, GOLD	3	NYLON, UL94V-0	WHITE	770182-2
BRASS, TIN-LEAD	2	NYLON, UL94V-0	WHITE	770182-1
MATERIAL	FINISH	MATERIAL	COLOR	PART NO.

THIS DRAWING IS A CONTROLLED DOCUMENT.

DIMENSIONS: INCHES	TOLERANCES UNLESS OTHERWISE SPECIFIED:	DWN S. CARPENTER 28JUL2003	Tyco Electronics Corporation Harrisburg, PA 17105
	0 PLC ±	CHK C. JONES 28JUL2003	
	1 PLC ±	APVD C. JONES 28JUL2003	
	2 PLC ± 0.13	NAME	
MATERIAL SEE TABLE	FINISH SEE TABLE	PRODUCT SPEC	HEADER ASSEMBLY, 9 CKT, MINI-UNIVERSAL MATE-N-LOK

SIZE A2	CAGE CODE 00779	DRAWING NO C=770182	RESTRICTED TO -
CUSTOMER DRAWING			SCALE 5:1 SHEET 1 OF 1 REV K

CUSTOMER DRAWING

A/C BUSINESS GROUP 3323 177-34 LARRY H. SMITH

770182

A