

1

2

3

4

5

6

7

FOR
客户名称APPROVED
客户确认签字ATTN
销售负责人

A

B

C

D

E

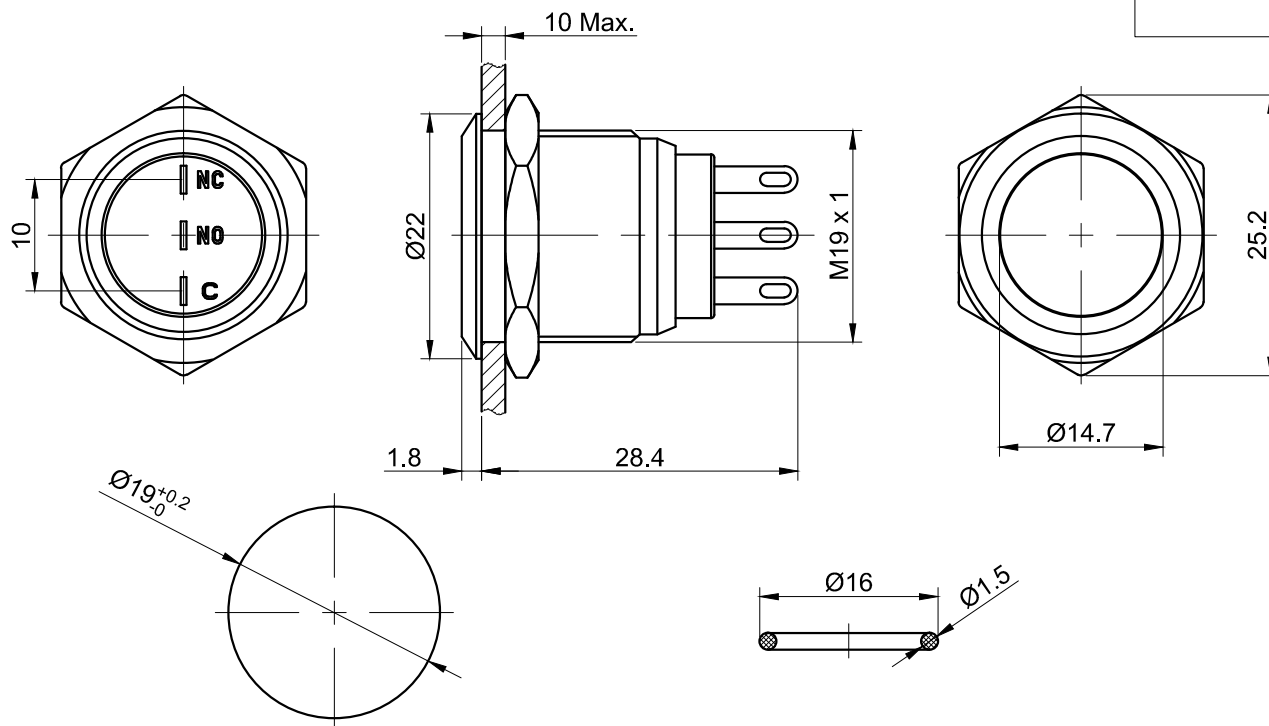
A

B

C

D

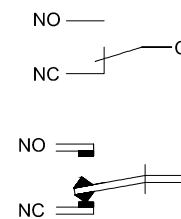
E



PANEL CUTOUT
MAX.PANEL THICKNESS
8 mm

Seal Ring

Switching Operation



Part Number:GQ19-11W

SPECIFICATIONS:

- 1.Switch Rating: AC125V/1A, AC250V/0.5A.
- 2.Mechanical Life: $\geq 1,000,000$ cycles.
- 3.Electrical Life: $\geq 300,000$ cycles.
- 4.Contact Resistance: $\leq 50m\Omega$.
- 5.Insulation Resistance: $\geq 1,000M\Omega$.
- 6.Dielectric Strength: 1,500V, RMS 50Hz, 1min.
- 7.Operating Temperature: $-25^{\circ}C \sim +55^{\circ}C$ (No Freezing).
- 8.Operating Force: About 10N.
- 9.Operating Travel: About 0.5mm.
- 10.Torque: About 0.6Nm max.applied to nut.
- 11.Protection degree: IP67.
- 12.Terminal Type: Pin Terminal(2.4 x 0.3mm).

MATERIALS:

- 1.Contact: Silver alloy.
- 2.Button: Stainless steel.
- 3.Body: Stainless steel.
- 4.Base: PBT.

BRAND 品牌	ONPOW	红波按钮制造有限公司 ONPOW PUSH BUTTON MANUFACTURE CO.,LTD.		
THESE DRAWINGS AND SPECIFICATIONS ARE THE PROPERTY OF ONPOW PUSH BUTTON MANUFACTURE CO.,LTD. AND SHALL NOT BE REPRODUCED COPIED OR USED IN ANY MANNER WITHOUT THE PRIOR WRITTEN CONSENT OF ONPOW PUSH BUTTON MANUFACTURE CO.,LTD.		USED 用途	APPD 审核	CH 2020/04/24
		FINISH 处理	CHKD 校对	NCH 2020/04/24
		SCALE 比例	UNIT 单位	DR. 制图
		1.2 / 1	mm	ZPD 2020/04/24
DIMENSIONS		TOLERANCE		TITLE 名称
0.00 TO 18.00mm		$\pm 0.43mm$		Micro-travel push button
18.01 TO 30.00mm		$\pm 0.52mm$		DWG NO. 图号
30.01 TO 50.00mm		$\pm 0.62mm$		GQ19-11W
50.01 TO 80.00mm		$\pm 0.74mm$		SIZE 图纸
		FILE NAME 档案名称		A4
		GQ19-11W.DWG	SHEET 张	1 / 1
			REV. 更改	1

1

2

3

4

5

6

7